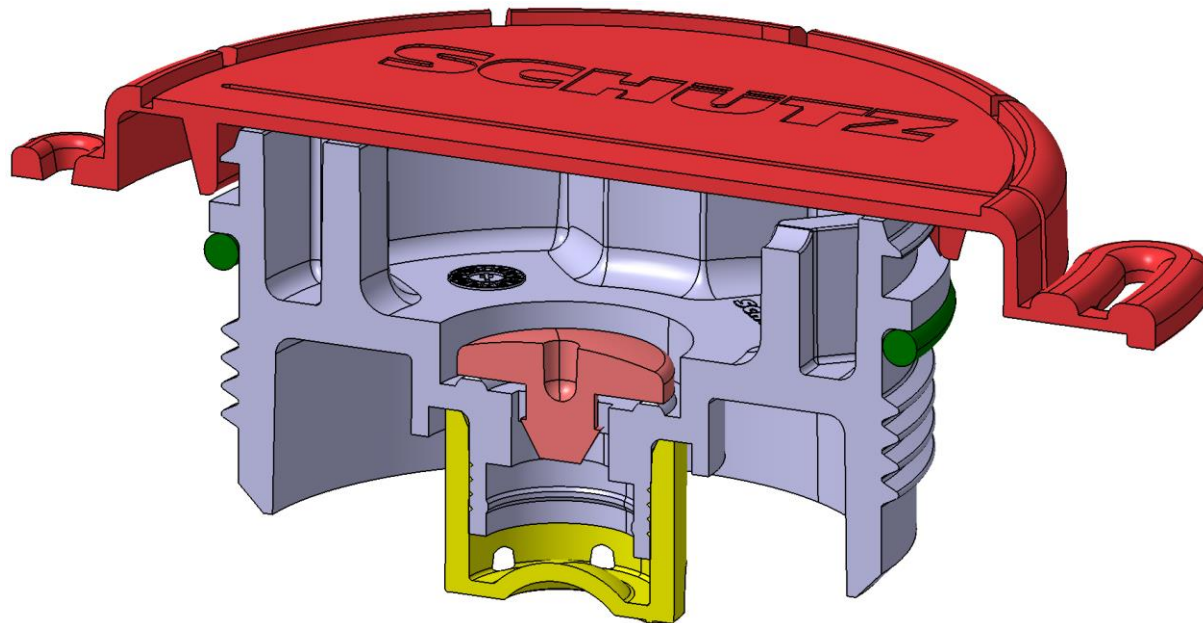


Aerate and deaerate with vents

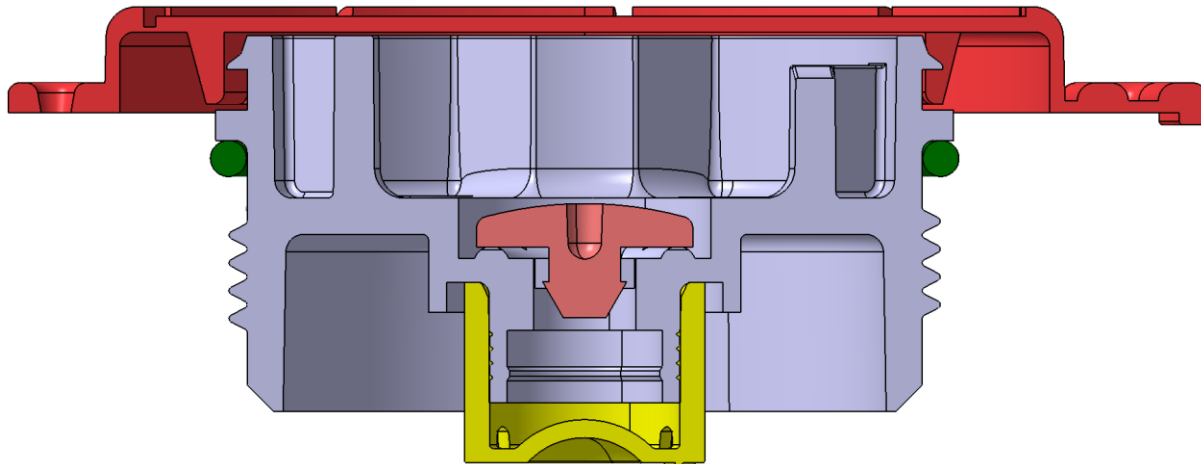
In the centre of the plug is a vent (silicone or EPDM).
Under inner pressure, this vent opens. Aeration
(to equalize a vacuum) is possible via small air ducts.



IBC ventilation systems

Aerate and deaerate

G2“ plug with mushroom vent for aeration & deaeration (silicone or EPDM)	
UN certification	Yes
Air flow to outside - deaeration to inside - aeration	120 l/h at 25 mbar 120 l/h at 25 mbar
Features	Warm filling possible
Art.-No. silicone Art.-No. EPDM	481645 716073



G2“ plug with mushroom vent for aeration & deaeration



G2“ plug with mushroom vent for aeration & deaeration



G2" plug with mushroom vent for aeration & deaeration

