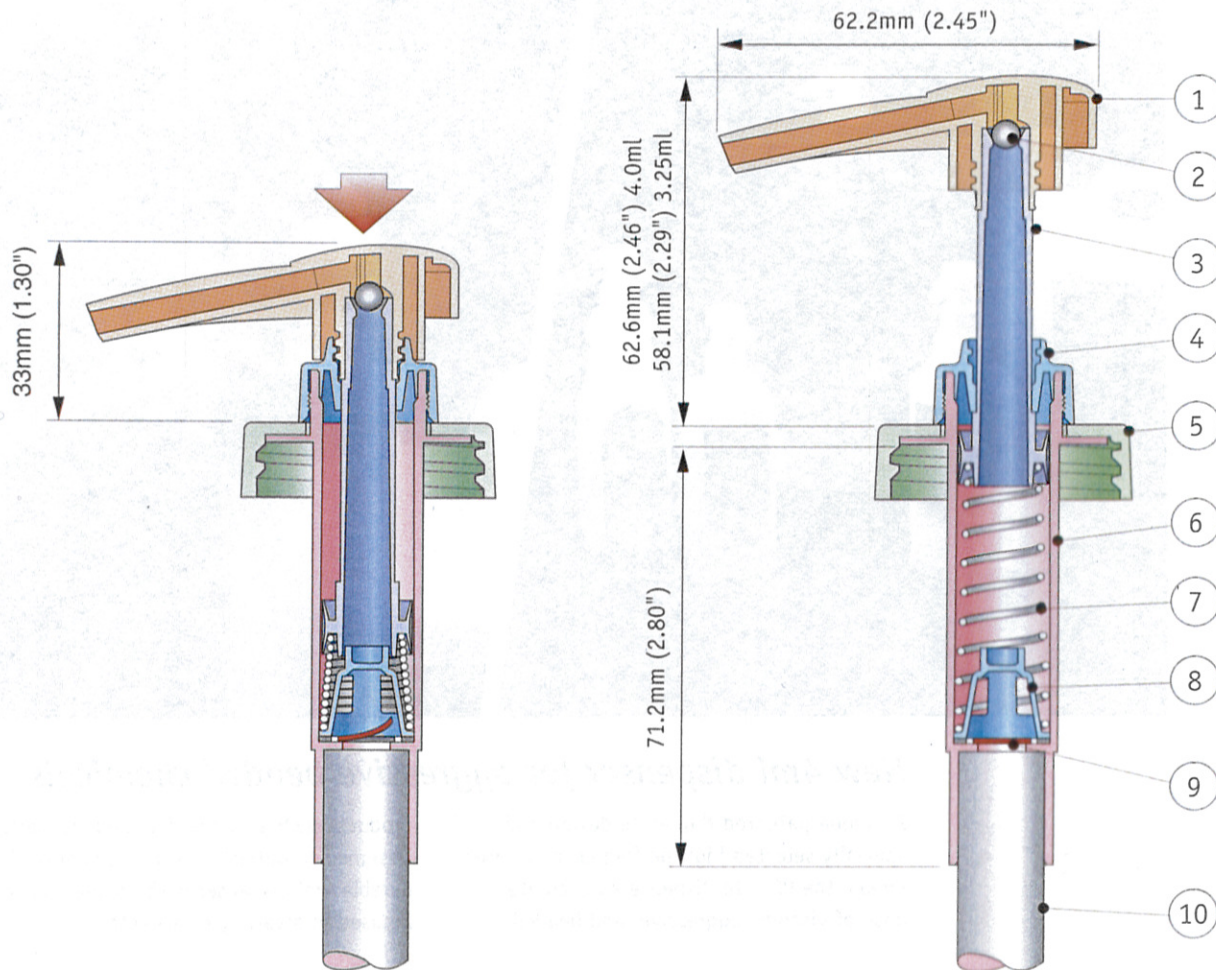


RS-4 Shipper Pump



CONSTRUCTION MATERIAL

- | | |
|-----------------------------------|-----------------------------|
| 1. Head - Acetal | 6. Body - Acetal |
| 2. Ball - Stainless Steel | 7. Spring - Stainless Steel |
| 3. Plunger - Hytrel | 8. Plunger Plug - Acetal |
| 4. Collar - Acetal | 9. Flap Valve - Hytrel |
| 5. 38-400 Closure - Polypropylene | 10. Suction Pipe - LDPE |

CAUTION: Because of the different conditions, concentrations and mixtures of chemicals, Rieke Packaging Systems does not test for compatibility. Before ordering Rieke Packaging Systems products, make sure they are compatible with your product's materials and packaging. Failure to do so may create a hazardous condition.

Rieke Packaging Systems™



WEBSITE • www.riekepackaging.com

RIEKE CORPORATION • 500 West Seventh Street • Auburn, Indiana 46706 • USA • +1 260 925-3700 • Fax +1 260 925-2493 • email sales@riekecorp.com

RIEKE DE MEXICO • Saturno 22, Nueva Industrial Vallejo • 07700-Mexico, D.F. • +52 55 5586 1200 • Fax +52 (55) 5754 7944 • email ventas@rieko.com.mx

RIEKE CORPORATION (S) PTE LTD • No. 16 Ayer Rajah Crescent, #04-02 Tempco Technominium • Singapore 139965 • +65 6872-5480 • Fax +65 6872-5481 • email riekesin@starhub.net.sg

ENGLASS • 44 Scudamore Road, Leicester LE3 1UG • England • +44 (0) 116 233 1100 • Fax +44 (0) 116 231 2077 • email sales@englass.co.uk

TOP EMBALLAGE • B.P.1, Z.I. Les Bruyères, 4 avenue Le Verrier • 78190 Trappes Cédex • FRANCE • +33 1 30 13 93 00 • Fax +33 1 30 66 09 10 • email commercialteam@topemballage.fr

HEINRICH STOLZ GMBH • In der Au 13, 57290 Neunkirchen • Germany • +49 (0) 2735-761-0 • Fax +49 (0) 2735-76150 • email info@hzzstolz.de

RIEKE PACKAGING SYSTEMS BRASIL LTDA. • Av. Bernardino de Campos, 98-3rd andar Paraíso • 04004-040 Sao Paulo-SP BRASIL • +55 11-3884-6238 • Fax +55 11-3887-3906 • email lbarbosa@riekecorp.com

RIEKE PACKAGING SYSTEMS IBERICA • Guerau de Liost, 10-12, P.I. Mas de les Animes • 43206 REUS (Tarragona) Spain • +34 (0) 977 33 26 11 • Fax +34 (0) 977 33 26 12 • email ramonm@trr.servicom.es

RIEKE PACKAGING SYSTEMS AUSTRALIA • P.O. Box 4, Main Street Post Office, Healesville, Victoria • 3777 Australia • +61 35962-6340 • Fax +61 35962-6345 • email rieko@foxall.com.au

GRUPPO TOV S.R.L. • Via Lecco, 11 • 23868 Valmadrera (LC) ITALY • +39 0341 582377 • Fax +39 0341 581544 • email info@tovgroup.com

RIEKE DISPENSING • 500 West Seventh Street • Auburn, Indiana 46706 • USA • +1 260 925-3700 • Fax +1 260 925-2493 • email sales@riekecorp.com